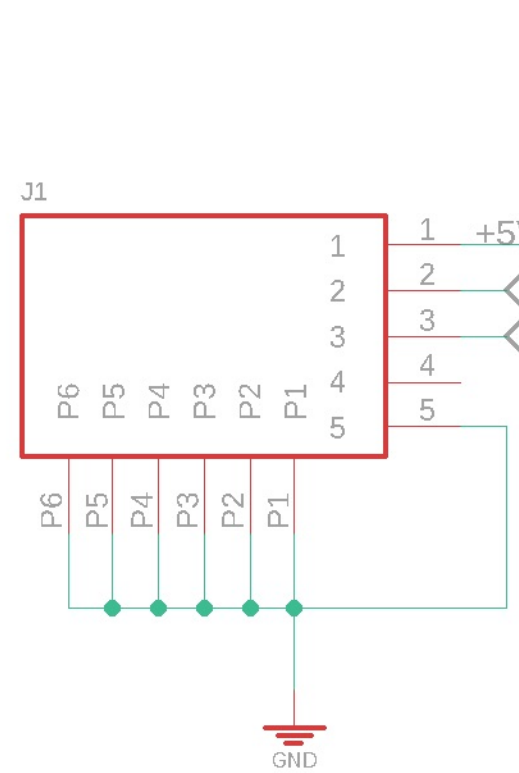
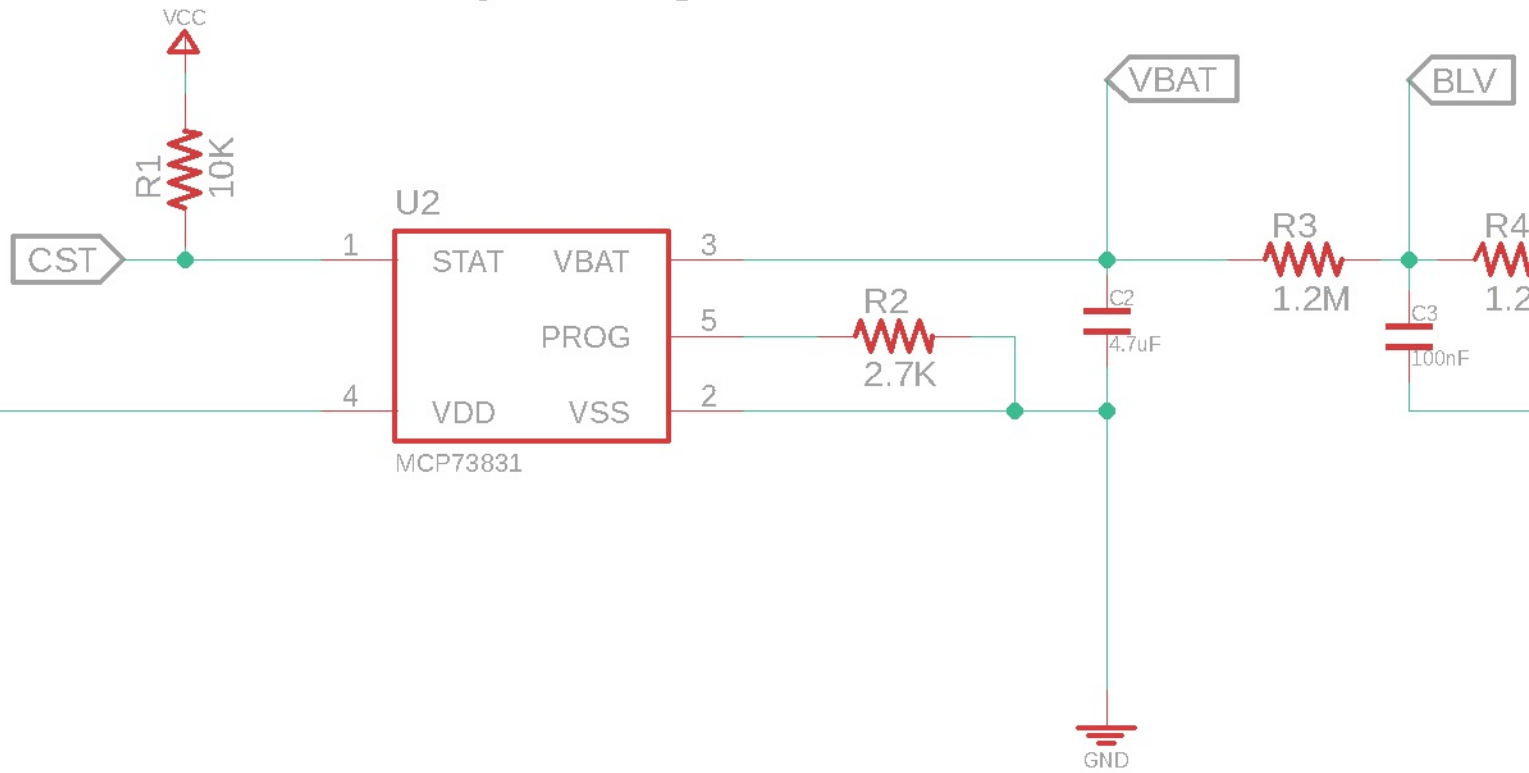


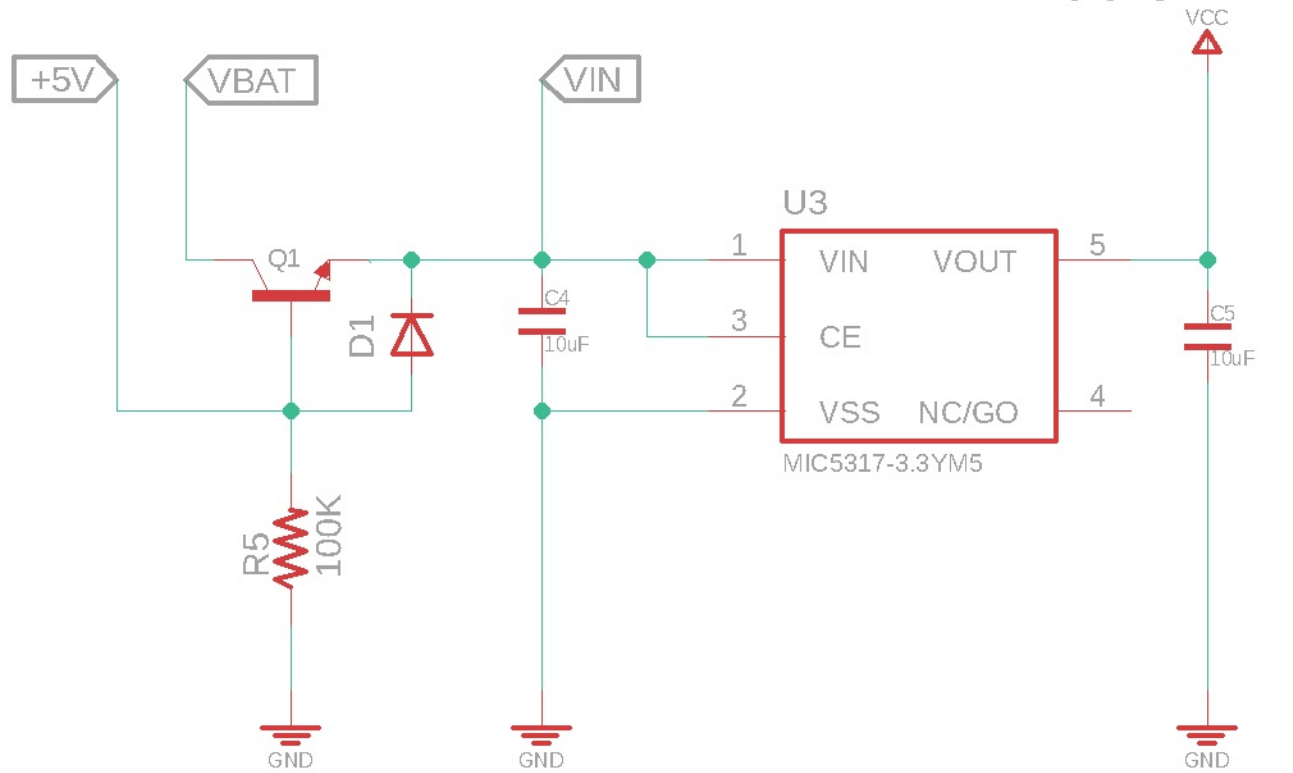
### Micro USB Connector



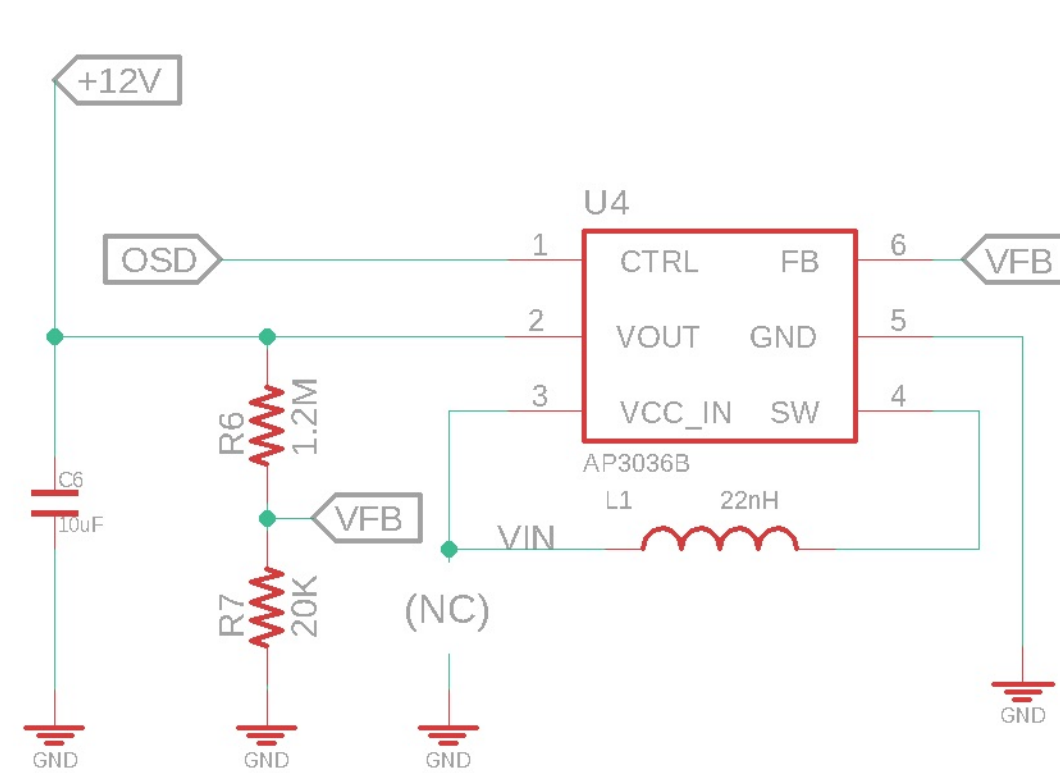
### Battery Charger



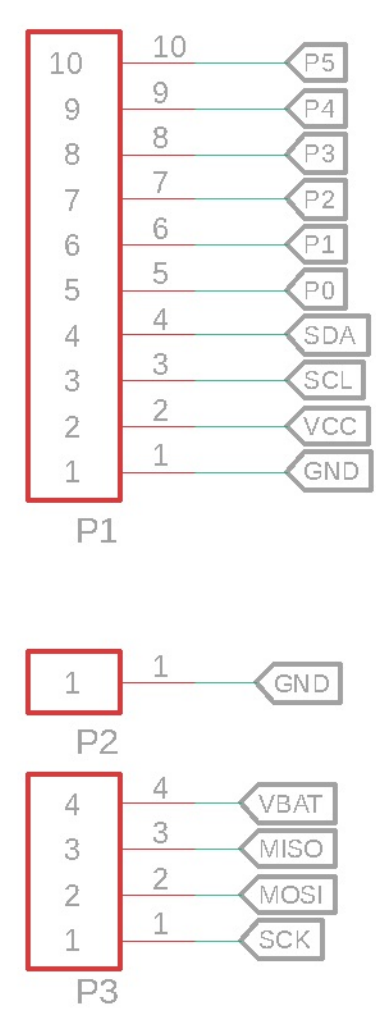
### 3.3V Power supply



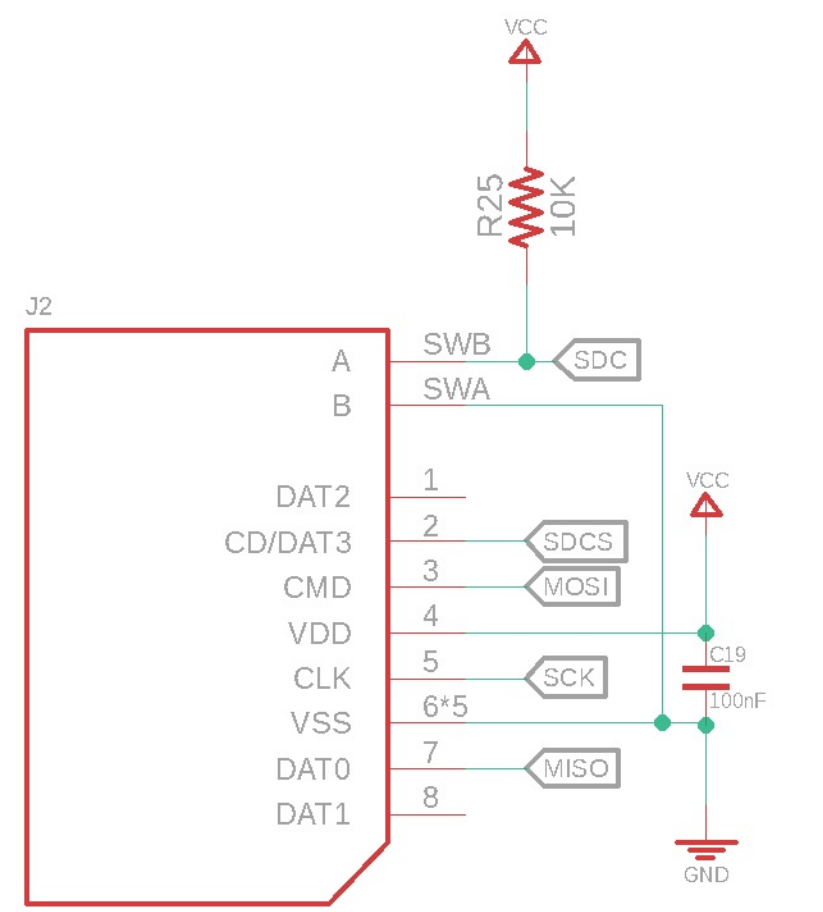
### 12.5V LED Driver



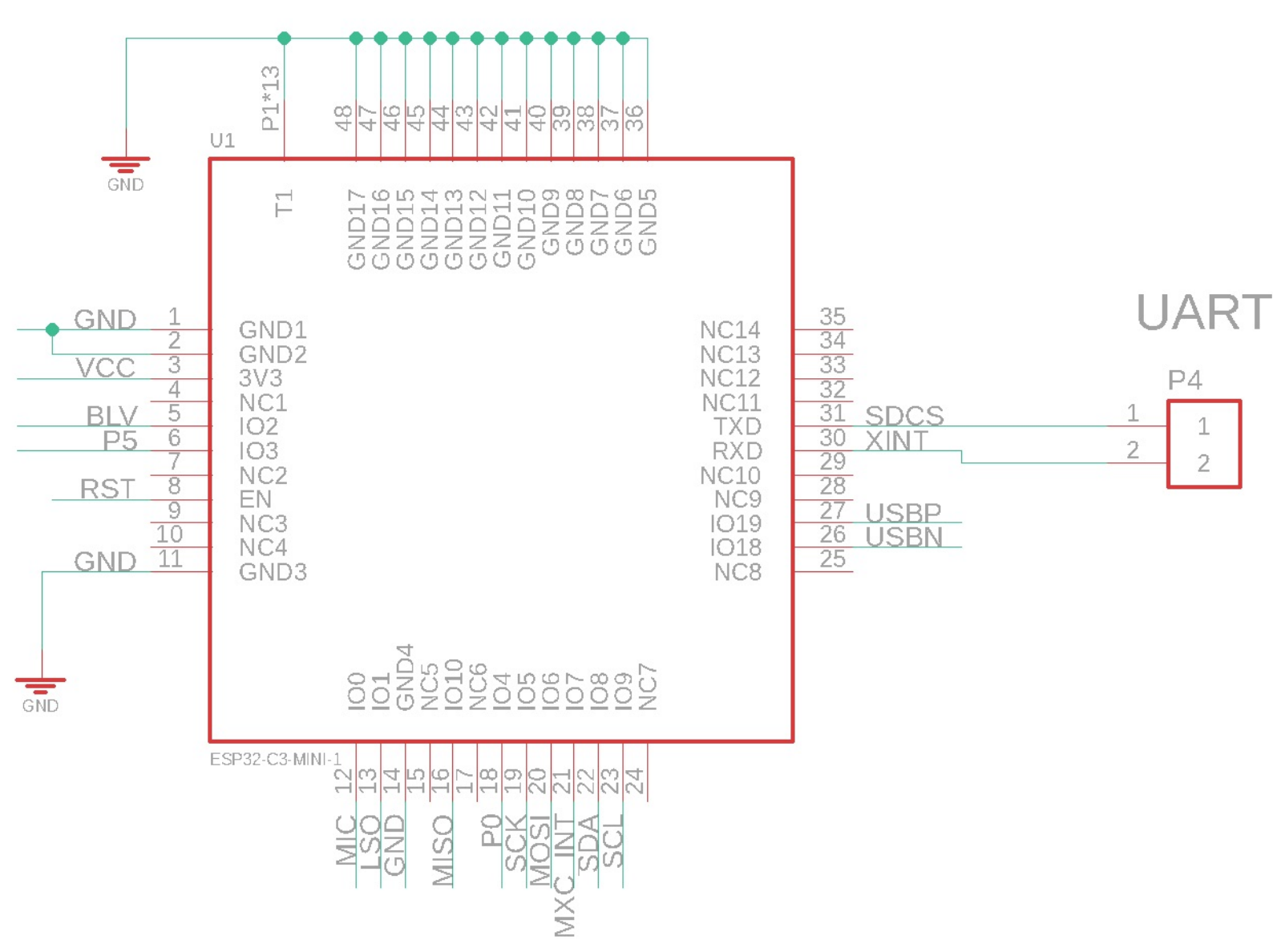
### Pin Header



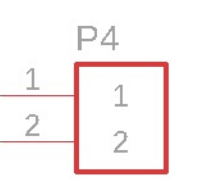
### Micro SD Card Connector



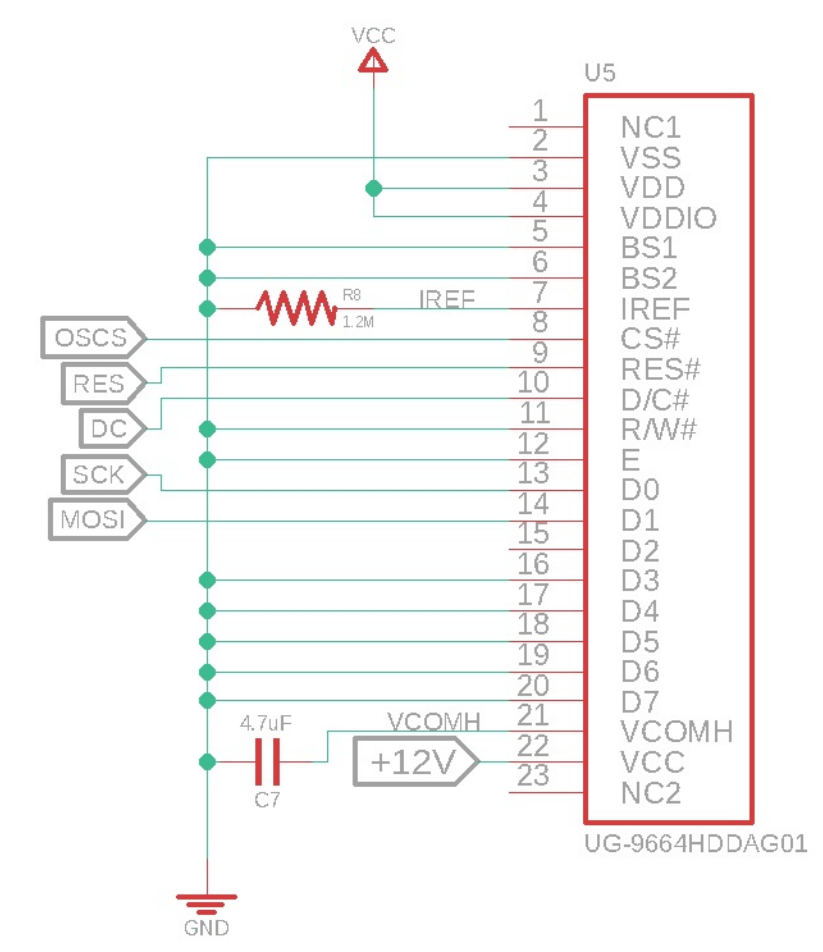
### ESP32-C3-MINI-1



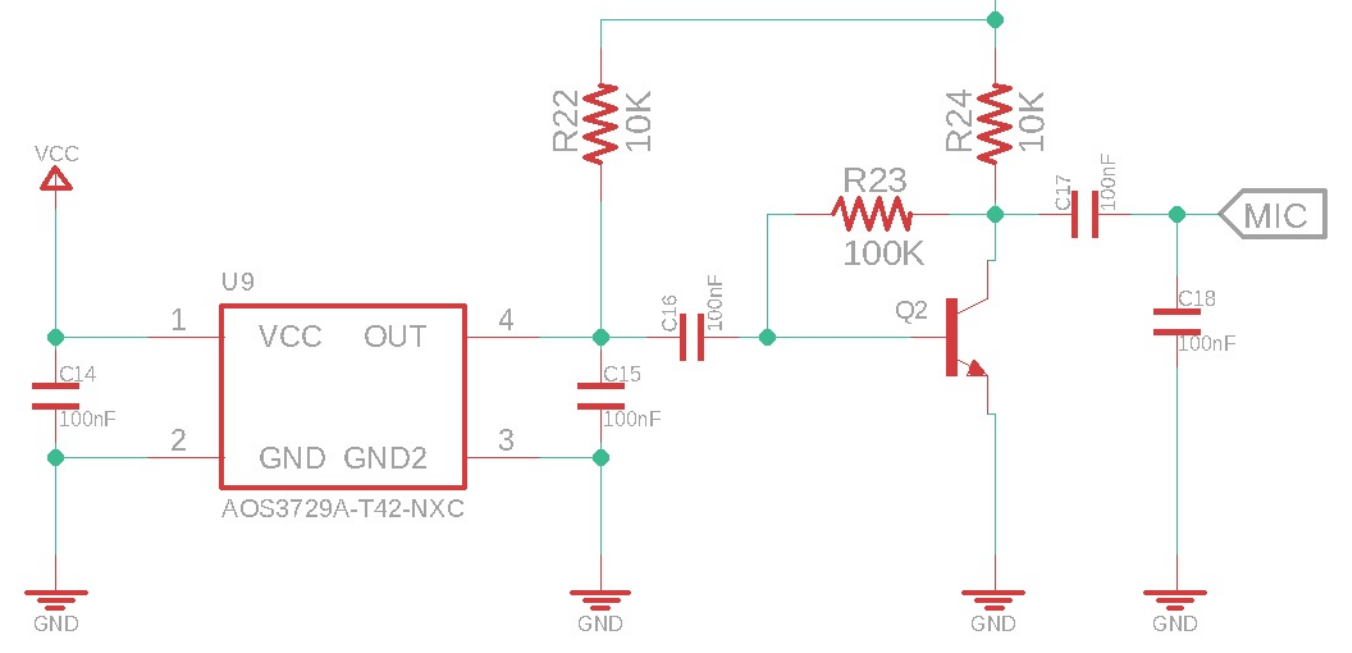
### UART



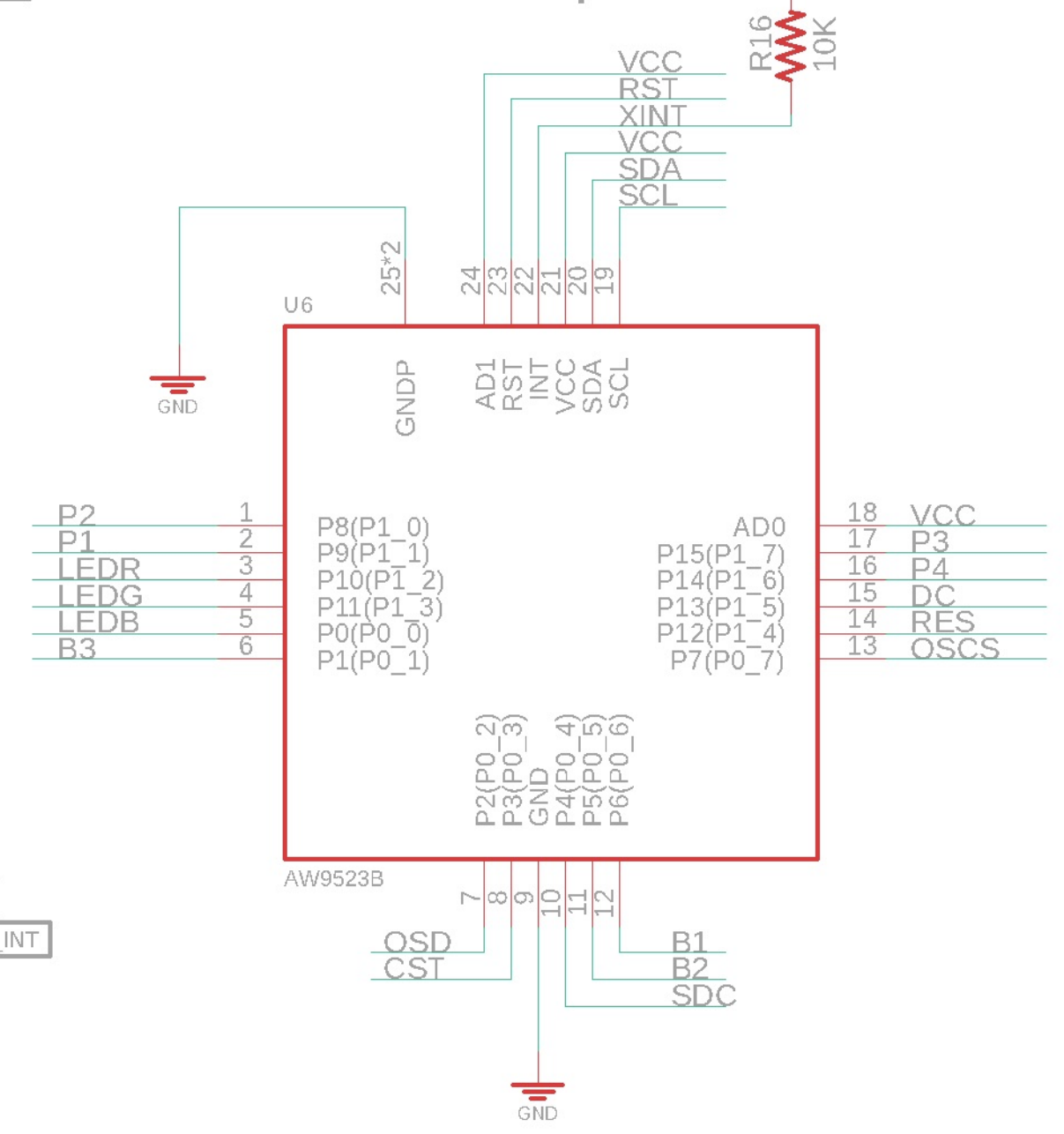
### OLED Screen



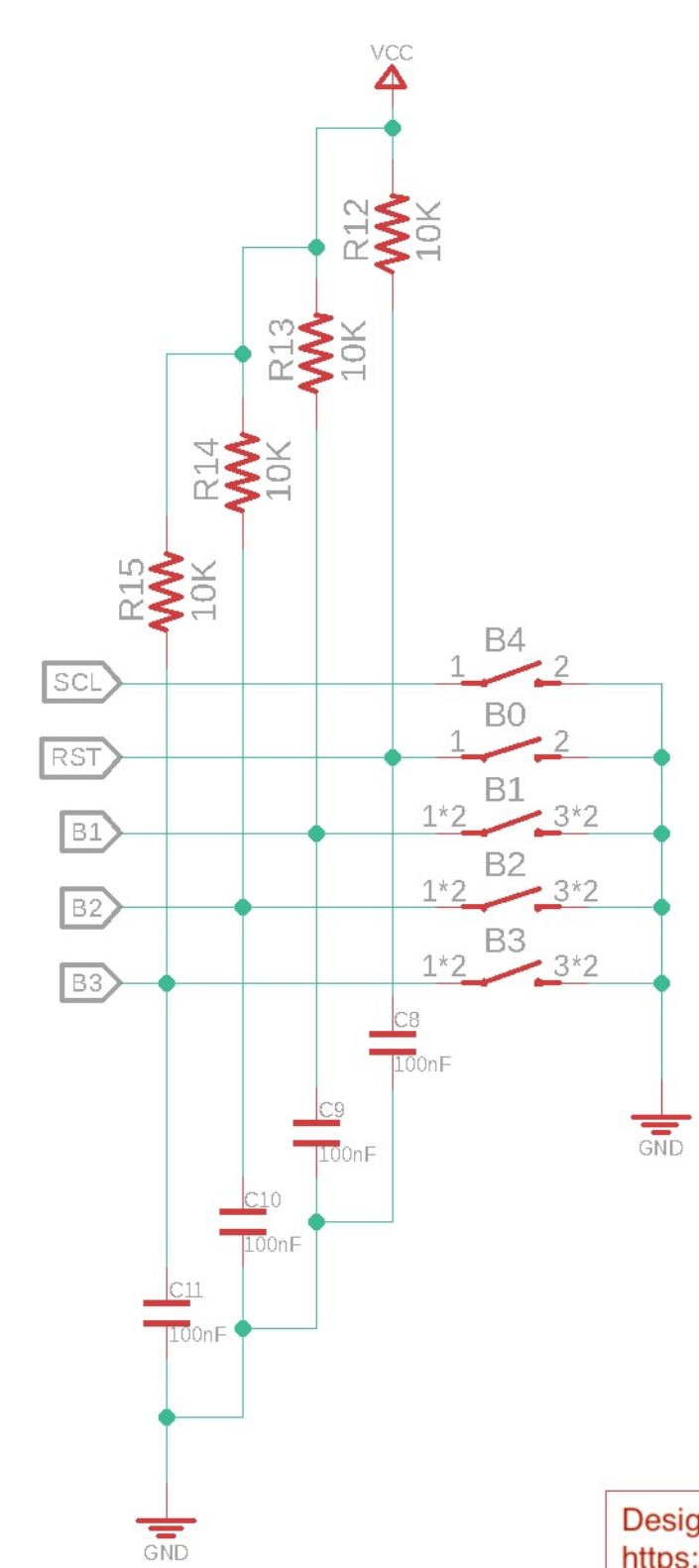
### MEMS Microphone



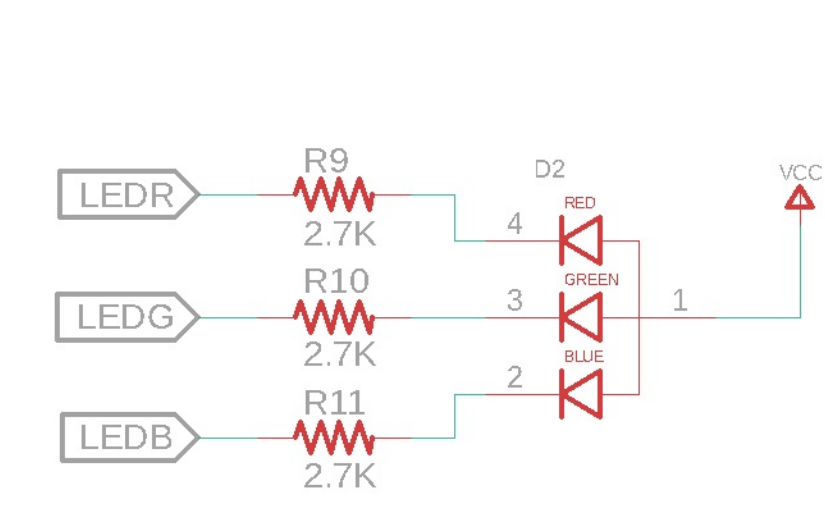
### GPIO Expander



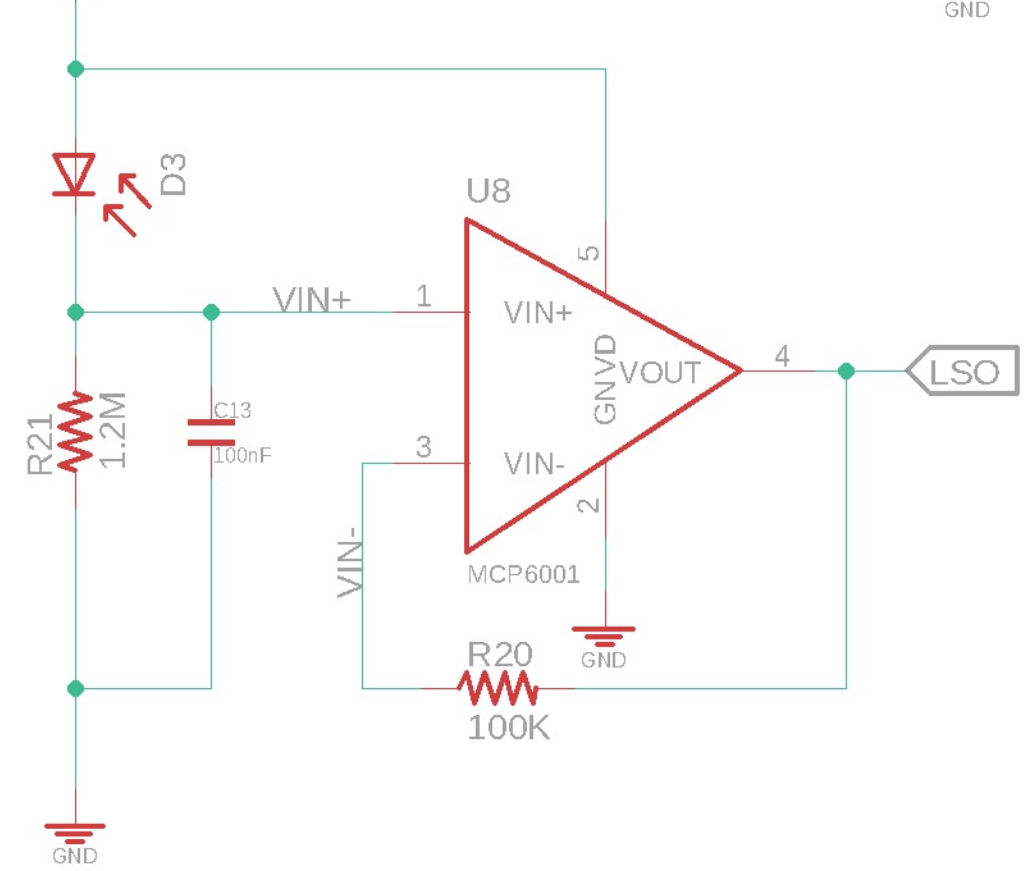
### Switches



### RGB LED



### Light Sensor Amplifier



### Accelerometer

